

TILT SENSOR

FEATURES

- Dual Axis Tilt Sensing
- Refresh Rates - 1 / 10 / 50 Hz
- RS232 and RS485 MODBUS Output
- Stability over Time and Temperature range
- Compact & Low Power
- Industrial Grade

APPLICATIONS

- Angle and Tilt Sensing
- Solar Tracking
- Robotics
- Platform Stabilization
- Platform Leveling
- ATM safety

DESCRIPTION

The VEGA TS2D is a dual-axis, compact and robust industrial grade tilt sensor. The TS2D can be used in static and harsh environments as factories, automotive or construction sites.

The TS2D employs solid state MEMS accelerometers for gravity level sensing. It uses advanced statistical filtering algorithms and digital signal processing to deliver inclination data about longitudinal (X) and lateral (Y) axis. TS2D has low noise industrial grade accelerometer with low temperature dependence which makes it an ideal choice for OEM applications. The output is available in flexible selectable data rate.

The TS2D provides output (digital formats - RS232, RS485 MODBUS RTU) in static or non-accelerated environment. The device comes with an industrial grade circular M8 connector aiding the compatibility of the device over a wide range.

TS2D is suitable for solar tracking, safety load indication, robotics, marine and other static or non-accelerating platform leveling applications.

VEGA TS2D



TECHNICAL SPECIFICATIONS

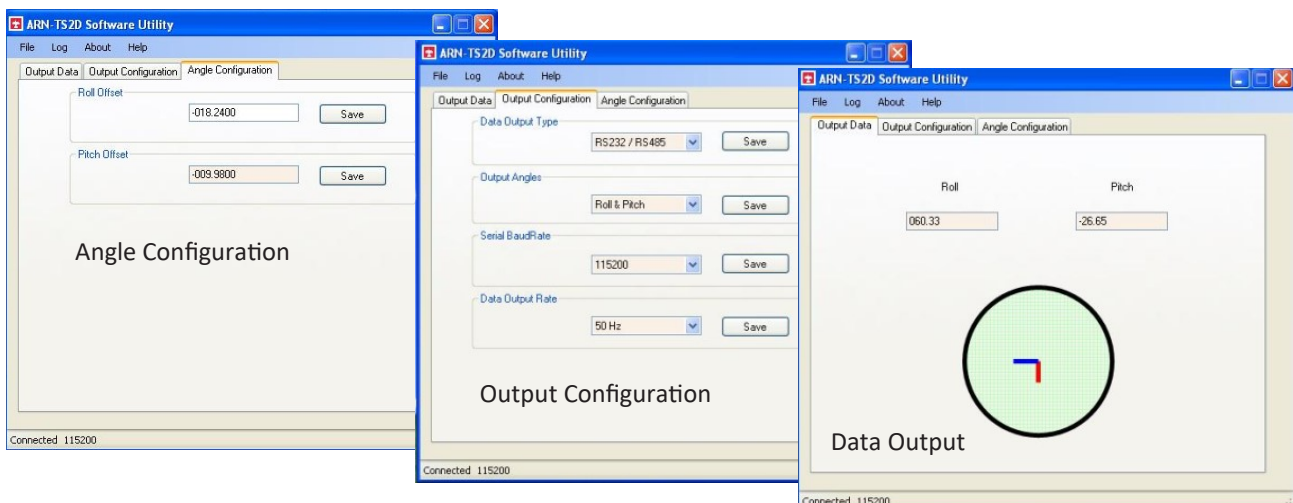
Parameter Name	Parameter Value
	VEGA
	TS2D
Performance	
Measurement Range	±60° (pitch) ±180° (roll)
Resolution	0.01°
Accuracy ¹	±1° (1σ)(static)
Update rate	1 Hz, 10 Hz, 50 Hz
Electrical	
Power Supply	+9 to +28 VDC
Current consumption	< 100 mA
Interfaces	RS232, RS485
Protocols	ASCII, MODBUS RTU
Baud Rate	9600, 19200, 38400, 56700, 115200
Environmental	
Shock Survival ²	20 g
Environmental Sealing	IP65
Operating Temperature	-40°C to +85°C
Mechanical	
Size	88 mm (L) x 58 mm (W) x 37 mm (H)
Weight	280 gms
Casing Material	Aluminum

1 - TS2D - Calibrated over the entire temperature range
2 - Acceleration due to gravity

DESKTOP APPLICATION

TS2D comes with a desktop software suite, for configuration, data display and data logging.

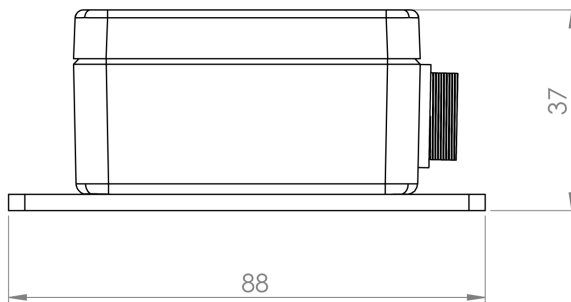
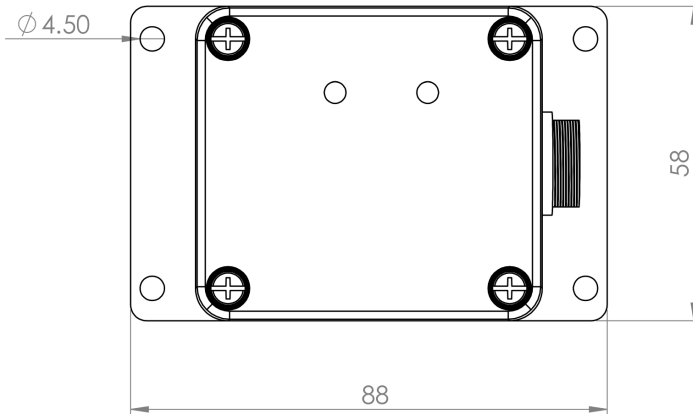
Note: These images of the software suite are for reference.



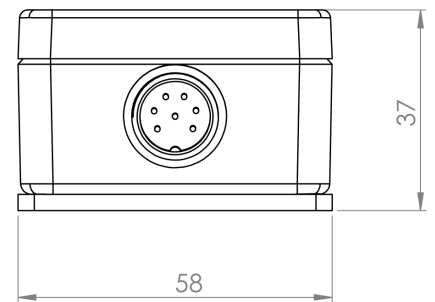
MECHANICAL DIMENSIONS

All dimensions in mm

Top View



Side View



Front View

ORDERING INFORMATION

VEGA TS2D (Product Code:14001)