

WIRELESS DATA GATEWAY

FEATURES

- Easy Integration
- RS485 MODBUS RTU
- 176 Parameters simultaneously captured
- Selectable Logging and Update Intervals
- Light, Compact, Easy to Deploy
- Low Power
- Long Data Retention
- Rechargeable Battery
- Device configuration over SMS & GUI
- Over the Air Firmware Update
- Desktop & Mobile App

APPLICATIONS

- Energy Monitoring
- Process Automation
- Asset and Condition Monitoring
- Water Supply Monitoring
- Industrial IoT Applications

DESCRIPTION

Flint WDG45 is a versatile, miniature, wireless IoT gateway that connects with various industrial devices such as PLCs, SCADA, energy meters over RS485 MODBUS RTU. The device collects and sends this data to the cloud server over GPRS. It also features an on-board SD Card (expandable up to 32 GB) for local data storage.

WDG45 has an in-built rechargeable backup battery. The device can be powered using a wide range (9-28V) DC supply. The device is compact and can be easily integrated into large OEM equipment so as to facilitate remote diagnostic and data acquisition for machine monitoring.

WDG45 (GPRS)

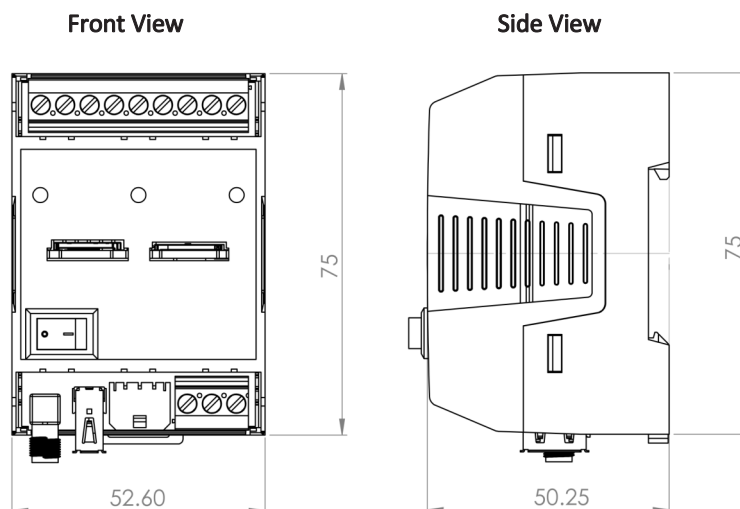


TECHNICAL SPECIFICATIONS

Parameter Name	Parameter Value
	FLINT
	WDG45 (GPRS)
Communication	
Network	Quad-Band GSM
Frequency Band	850/900/1800/1900 MHz
Configuration and Data Retrieval	SMS & Desktop Application
Maximum O/P Power	30 dBm
Receiver Input Sensitivity	-110 dBm
Data Rate	85.6 kbps (max)
Interface	RS232 MODBUS RTU, RS485 MODBUS RTU, USB Mass Storage
Storage	4 MB Internal 8 GB External SD Card (expandable to 32 GB)
Microprocessor	
No. of Bits	32 bit
Frequency	100 MHz
LED Indication	Power, Network Health, Communication
Electric	
Voltage I/P	+9 to +28 VDC
Operating Current	< 150 mA
Battery Back-up	1 hour
Reverse Polarity Protection	Up to 24V
Mechanical	
Operating Temperature	-10°C to +70°C
Storage Temperature	-20°C to +80°C
Dimensions	52.6 mm (L) x 75 mm (W) x 50.25 mm (H)
Weight	105 gms

MECHANICAL DIMENSIONS

All dimensions in mm



Datasheet Ver. 2.0.9

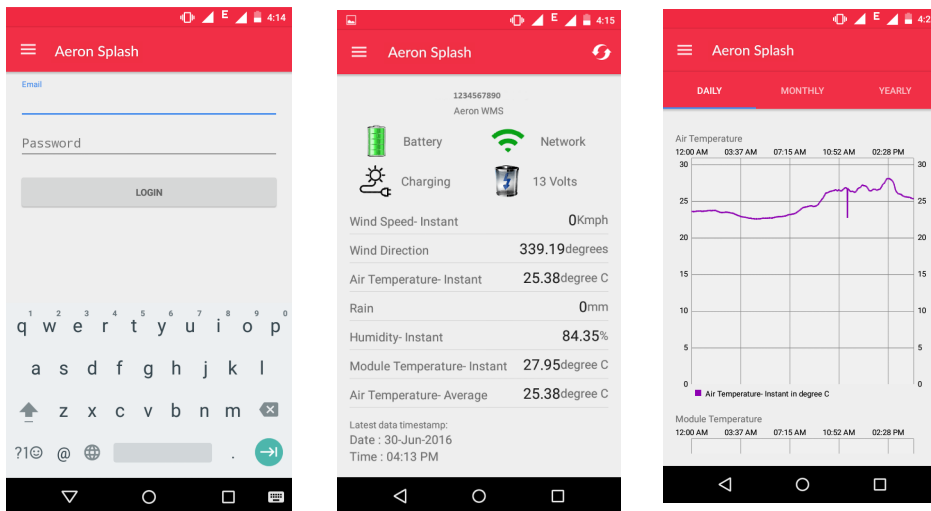
WEB PORTAL, DESKTOP & ANDROID APPLICATION



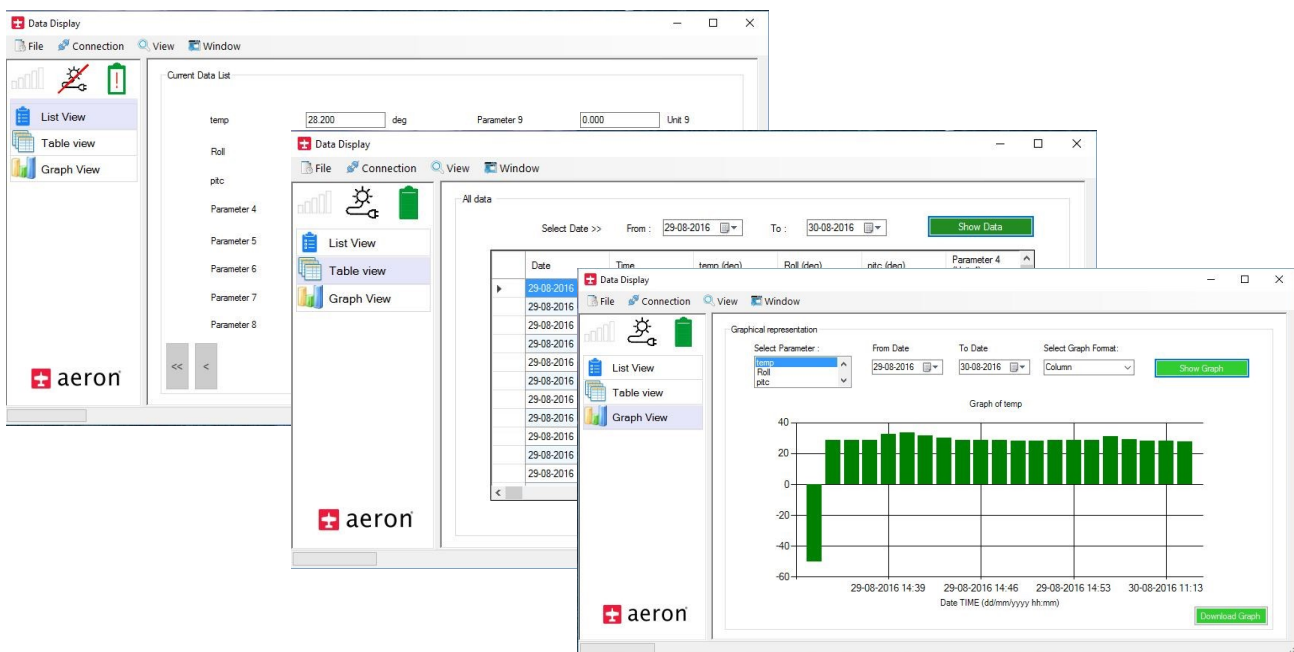
A web portal application and a user friendly Android Application is available with DLG88. Desktop application allows configuration settings and data retrieval. The Android app allows data viewing only.

Note: The Android app is available ONLY for customers who use Aeron's Web Services.

Android Application



Desktop Application



ORDERING INFORMATION

FLINT - WDG45 (Product Code: 20001)