

RIGEL PT1000 MODULE TEMPERATURE SENSOR

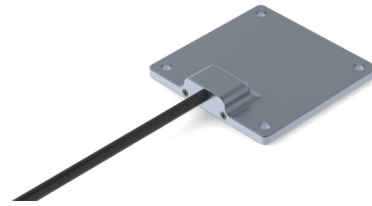
FEATURES

- Compact
- Environmentally Robust IP65
- Low Power
- Adhesive mount
- Extended temperature range

APPLICATIONS

- Surface temperature measurement
- Module temperature measurement
- Solar energy applications
- Weather monitoring applications

Module Temperature Sensor



DESCRIPTION

Aeron's Rigel PT1000 module temperature sensor measures surface temperature of PV panels. The measurement accuracy of the sensor is $\pm 1\%$. A strong adhesive on the sensor case is used to fix it firmly to the back of the panel.

The sensor is a high-quality PT1000 standard RTD with its resistance varying with temperature. The sensor has an anodized Aluminium casing which protects the thermistor element from outdoor environment and is thermally conductive to capture the surface temperature accurately.

The Rigel temperature sensor is ideal for solar plant applications, weather monitoring applications and other industrial applications that requires surface temperature measurement.

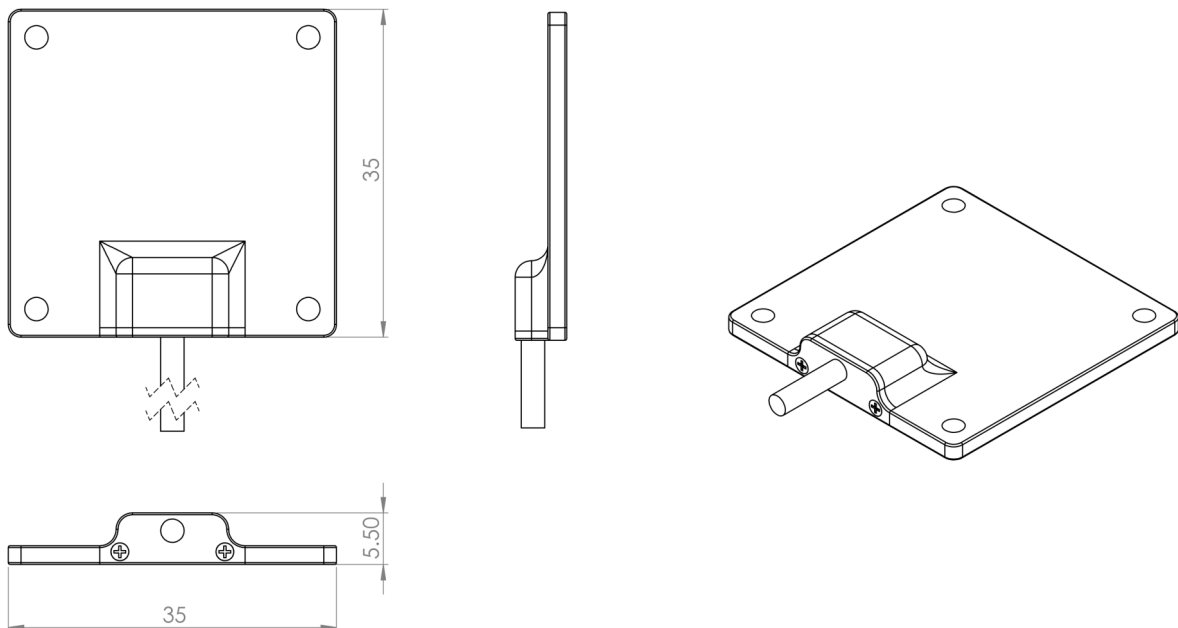


TECHNICAL SPECIFICATIONS

Technical Specifications	
Parameter Name	Parameter Value
	RGL PT1000
Temperature measurement	
Output Signal	Resistance output
Temperature Range	-30°C to 80° C
Accuracy	< ±1 %
Sensor Type	PT1000
Physical and Environmental	
Operating Temperature	-40°C to 80° C
Ingress Protection	IP65
Material	Aluminium 6061-T6
Dimensions	35mm x 35mm x 5.5mm
Weight	10 gms (excluding cable weight)
Cable Length	2meters

MECHANICAL DIMENSIONS

All dimensions in mm



ORDERING INFORMATION

ARN - RGL PT1000

Datasheet Ver. 1.0.1